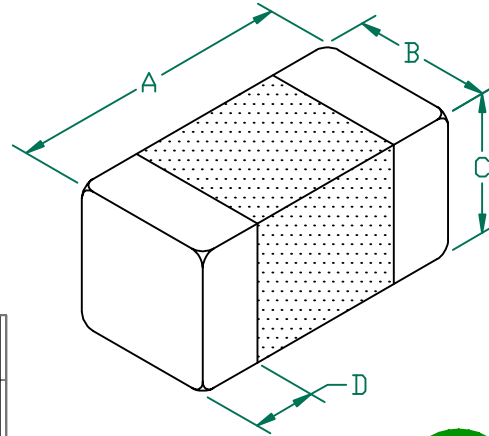


HZ0603A182R-10

UNCONTROLLED DOCUMENT

PHYSICAL DIMENSIONS:

A	1.60 [.063]	+ 0.15	[-.006]
B	0.80 [.031]	+ 0.15	[-.006]
C	0.80 [.031]	+ 0.15	[-.006]
D	0.36 [.014]	+ 0.15	[-.006]



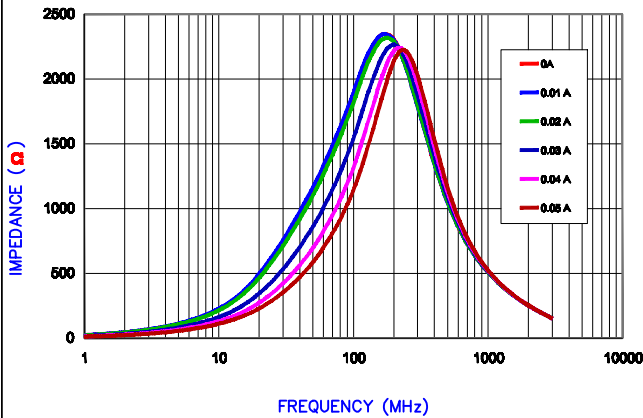
ELECTRICAL CHARACTERISTICS:

Z @ 100MHz (Ω)	DCR (Ω)	Rated Current
Nominal	1800	
Minimum	1350	
Maximum	2250	1.5
		50 mA

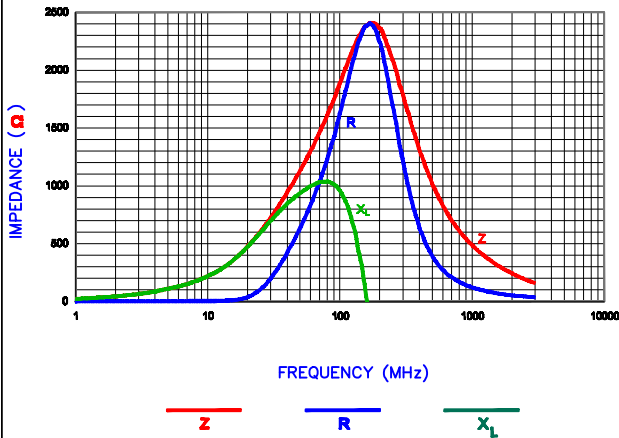
NOTES: UNLESS OTHERWISE SPECIFIED

1. TAPED AND REELED per CURRENT EIA SPECIFICATIONS 7" REELS, 4000 PCS/REEL, PAPER CARRIER TAPE.
2. TERMINATION FINISH IS 100% TIN.
3. COMPONENTS SHOULD BE ADEQUATELY PREHEATED BEFORE SOLDERING.

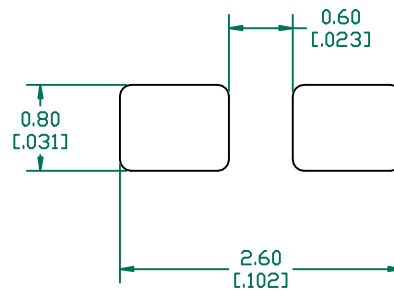
Z vs. FREQUENCY
IMPEDANCE UNDER DC BIAS



[Z], R, AND X vs. FREQUENCY

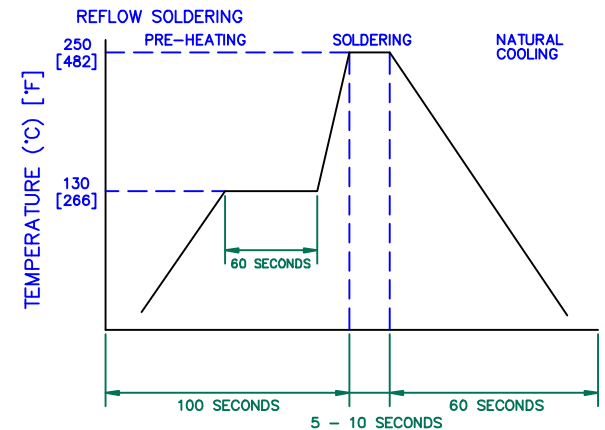


LAND PATTERNS FOR REFLOW SOLDERING



(For wave soldering, add 0.762 [.030] to this dimension)

RECOMMENDED SOLDERING CONDITIONS



DIMENSIONS ARE IN mm [INCHES].				This print is the property of Laird Tech. and is loaned in confidence subject to return upon request and with the understanding that no copies shall be made without the written consent of Laird Tech. All rights to design or invention are reserved.				
				PROJECT/PART NUMBER:		REV	PART TYPE:	DRAWN BY:
C	UPDATE COMPANY LOGO	02/22/08	JRK	HZ0603A182R-10		C	CO-FIRE	JRK
B	ADD DC BIAS CURVE	07/25/06	JRK	DATE:	03/30/06	SCALE:	-	SHEET:
A	ORIGINAL DRAFT	03/30/06	JRK	CAD #	HZ0603A182R-10-C	TOOL #	-	2 of 2
REV	DESCRIPTION	DATE	INT					